

DESIGN SPECIFICATION
ARINC 429 to ARINC-407 Synchro
MODEL DS-100 P/N 500-2200

Skylight Avionics
38629 6th St. East
Palmdale, Ca. 93550
(805)265-0497

TABLE OF CONTENTS

REFERENCE	SECTION	PAGE
(i)	OPERATING INSTRUCTIONS	2
(ii)	EQUIPMENT LIMITATIONS	2
(iii)	INSTALLATION PROCEDURES & LIMITATIONS	3
(iv)	INSTALLATION MECHANICAL DIAGRAMS	4
(v)	INSTALLATION WIRING DIAGRAMS	5
(vi)	SPECIFICATIONS	6
(vii)	EQUIPMENT SYSTEM - MAJOR COMPONENTS	7
(viii)	ENVIRONMENTAL QUALIFICATION FORM	8

ILLUSTRATIONS

ILLUSTRATIONS	TITLE	PAGE
(iv-1)	MECHANICAL DRAWING	3
(v-1)	INSTALLATION DRAWING	4
(vii-1)	INTERCONNECT BLOCK DIAGRAM	6

(i) OPERATING INSTRUCTIONS

The D/S-100 Adapter, P/N 500-2200, by its design has only one specific application to meet the customer unique and limited needs. The basic function as described in the following sections have only one alternative function. The discrete input incorporated allows the Drift Angle to have the output 3 Times of the actual input data when active.

(ii) EQUIPMENT LIMITATIONS

The D/S-100 adapter was designed using the pertinent RTCA/DO160B sections. In being an integral part of a Direction Instrument. SAE AS 8013 and AS 8021 Minimum Performance Standard for Direction Instrument Magnetic and Non-Magnetic (Gyroscopically Stabilized) was used as a guide line. However the D/S-100 is a format adapter only used to adapt ARINC 429 to Synchro only.

The D/S-100 adapter, as a component of the on board Direction Instrument System, the update speed and accuracy is directly limited to the output of the ARINC 429 Transmitter which is driving the D/S-100. In effect, it is a component of that system and therefore subject to all inherent limitations of that system.

The D/S-100 is limited to the monitoring of 16 bits of binary angle input of the appropriate label (as shown in section (x) of this specification), within 1mS. With a maximum of +/-12 arc-minutes error of the LSB on the output.

The design of the D/S-100 is such as to cause minimal degradation of the input signal and to convert the data in the fastest and most accurate means possible.

(iii) INSTALLATION PROCEDURES

1. INTRODUCTION

This section contains information relative to the installation of the, D/S-100 XYZ Adapter, to assure satisfactory performance of the unit. (See Sections "iv" and "v" for detailed mechanical and wiring diagrams.)

2. UNPACKING AND INSPECTING EQUIPMENT

After unpacking the unit, make a visual inspection of the unit for evidence of damage incurred during shipment. If a claim for damage is to be made, save the shipping container to substantiate the claim.

3. PREINSTALLATION CHECK

Perform a continuity and power check on the wiring harness before connecting equipment.

4. POWER REQUIREMENTS

The D/S-100 operates from a standard 27.5 Volt DC aircraft power source, and 26 VAC 400 HZ reference. Provide circuit protection with an in line 1 AMP breaker on the 27.5 VDC.

5. POST INSTALLATION CHECK

There is no in-aircraft adjustment required for the D/S-100. All alignment and adjustment procedures are accomplished during bench maintenance.

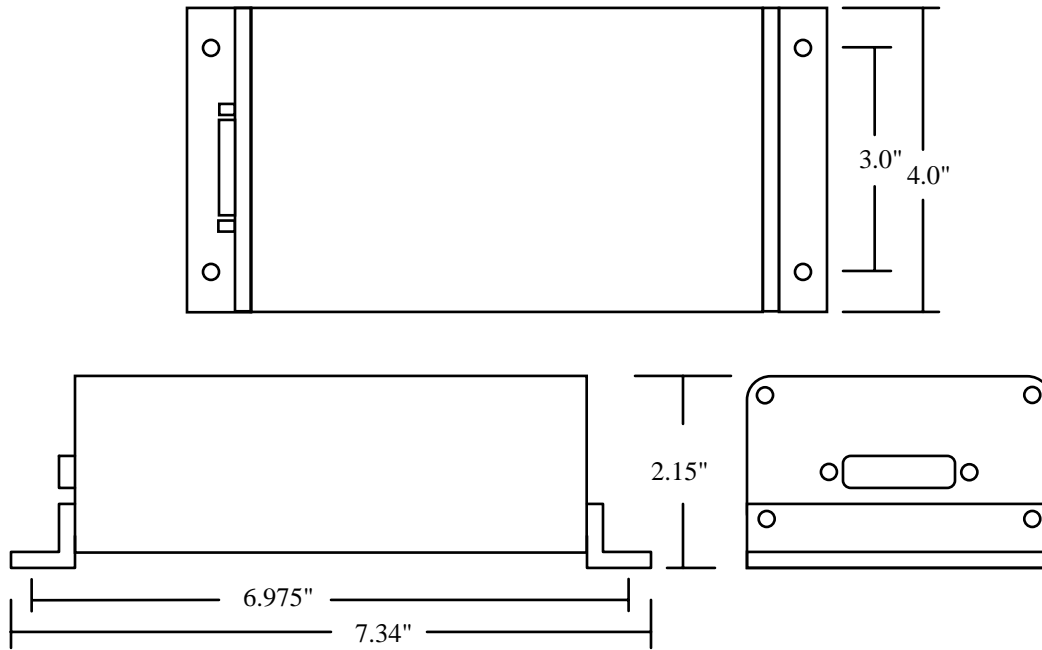
6. PREFLIGHT CHECK

Following the manufactures check out procedures of the on board Synchro Instruments, verify that the Indications being driven by the D/S-100 are accurate.

(iv) INSTALLATION MECHANICAL DIAGRAMS

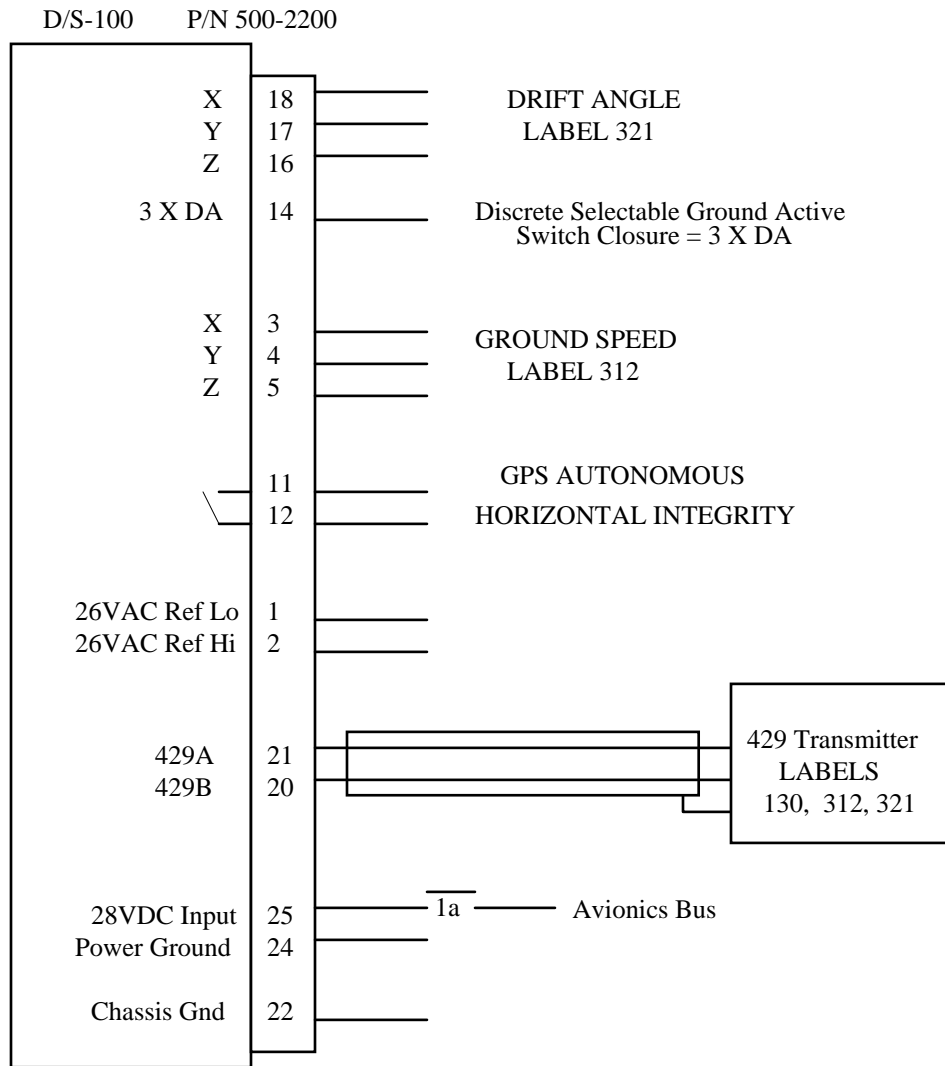
The D/S-100 is designed for flat mounting anywhere on board the aircraft, pressurized or non-pressurized compartments. The unit has four (4) mounting holes for number (6) size screws. (NOTE: Screws and other miscellaneous mounting hardware are NOT included with the D/S-100.

Mechanical Drawing of D/S-100



Unit Connector - DB25P with Screw Retainers
Mate - DB25S AMP P/N 205207-1 or Equivalent

(v) INSTALLATION WIRING DIAGRAMS



(vi.) SPECIFICATIONS

SPECIFICATION	CHARACTERISTICS
Compliance	TSO C5e/C6d (Application Package)
DO160B D1A1/B/A/NOM/X/X/X/X/X/A/A/A/A/A	
Physical Dimensions	Height 2.15" Length 7.33" Width 4.7" Weight 1.5lb
Temperature Range	Operational -20 C to +70 C Storage -55 C to +85 C
Altitude	50,000'
Power Requirements	28 VDC @ .8 AMP Peak .3 AMP Normal 26 VAC @ .1 AMP Reference only
Inputs	ARINC 429 Labels 130, 312, 321 with 16 bit resolution 1 Discrete, Active Ground Drift Angle Output 3 Times 1 Discrete, Customer optional Flag level.
Outputs	Two Channels of ARINC 407 Synchro XYZ 3 Passive Loads @ +/-12 arc-minutes 1 Channel = Ground Speed (0 to 1000 Knots) 1 Channel = Drift Angle
Flag output	Invalid 1 Meg Ohm From Flag input discrete Valid 1 Ohm From Flag input discrete
Limitations	Limited to the manufactures specifications of the digital input bus and to the specifications listed herein.

(vii.) EQUIPMENT SYSTEMS MAJOR COMPONENT

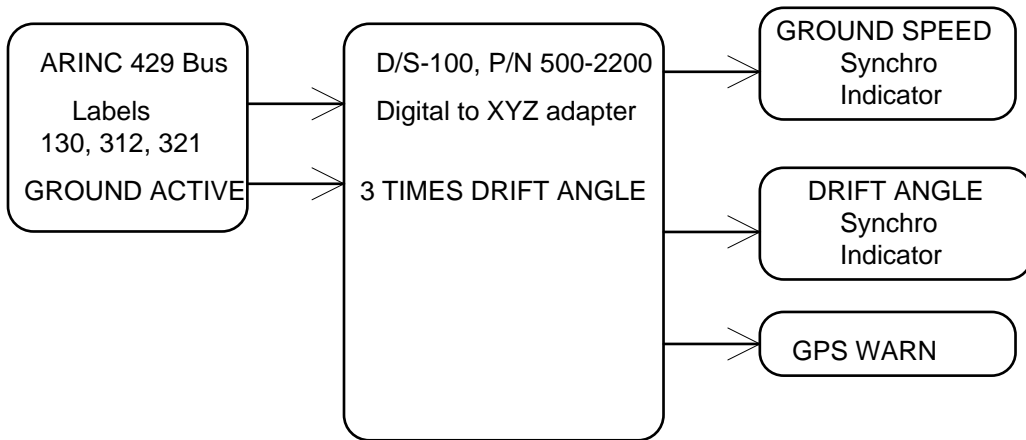
Equipment Supplied:

1 Model D/S-100 Digital to SYNCHRO Adapter
Part Number 500-2200

Equipment Required But Not Supplied:

4 Standard Mounting Screws
Connector Standard DB25S AMP P/N 205207-1 or equiv., Retention Screws required.

Interconnect Block Diagram



(viii.) ENVIRONMENTAL QUALIFICATION

Nomenclature: D/S-100, 429 to XYZ, SYNCHRO Adapter
 Part Number: 500-2200 TSO Number C5e/C6d

Test

Conditions	Section / Paragraph	Test Conducted
Temperature & Altitude	4.0	Equipment tested to Category: D2
Low Temperature	4.5.1	Equipment tested to Category: D2
High Temperature	4.5.2/3	Equipment tested to Category: D2
Altitude Tests	4.6.1	Equipment tested to Category: D2
Decompression Test	4.6.2	Equipment tested to Category: A1
Overcompression Test	4.6.3	Equipment tested to Category: A1
Temperature Variation	5.0	Equipment tested to Category: B
Humidity	6.0	Equipment tested to Category: A
Shock	7.0	Equipment Tested per DO-160B Paragraph 7
Operational	7.2	
Crash Safety	7.3	
Vibration	8.0	Equipment tested mounts to Categories N, O and P (DO-160B, Table 8-1)
Explosion Proofness	9.0	Equipment Identified as "X" no test required
Waterproofness	10.0	Equipment Identified as "X" no test required
Fluids Susceptibility	11.0	Equipment Identified as "X" no test required
Sand & Dust	12.0	Equipment Identified as "X" no test required
Fungus Resistance	13.0	Equipment Identified as "X" no test required
Salt Spray	14.0	Equipment Identified as "X" no test required
Magnetic Effect	15.0	Equipment tested as Class "A"
	16.0	Equipment tested as Class "A"
Voltage Spike	17.0	Equipment tested as Class "A"
Audio Frequency Conducted Susceptibility	18.0	Equipment tested as Class "A"
Induced Signal Susceptibility	19.0	Equipment tested as Class "A"
Radio Frequency Susceptibility	20.0	Equipment tested as Class "A"
Radio Frequency Emission	21.0	Equipment tested as Class "A"